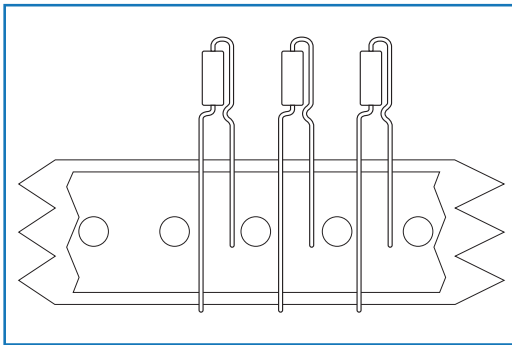
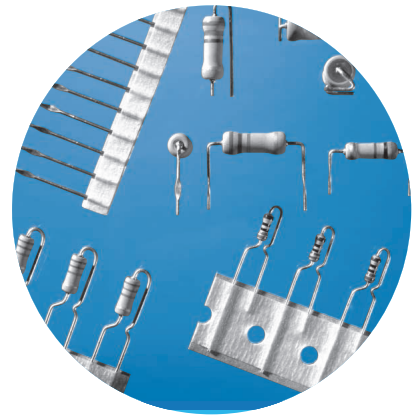


## Lead Form Capability

Resistors can be supplied with various pre-formed leads.

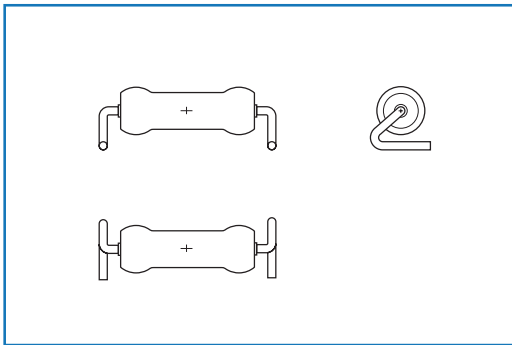
The standard options are

- Radial
- ZI-Form
- Lancet
- Goalpost
- Hairpin
- Straight Cut



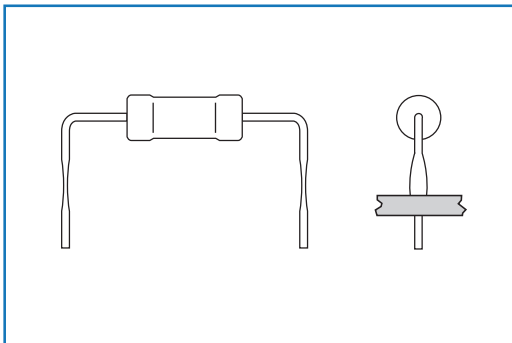
### Radial Form

- Available in 2.5 x 6.3mm body
- Available in 4.0 x 10mm body
- Order product type with suffix 'R' (MFP2R)
- Reel packed
- For automatic radial insertion



### ZI-Form

- Available range: 3.6 x 9.0mm to 7.0 x 16.5mm body
- Order product type with suffix 'ZI' (WA84ZI)
- Packed in plastic blister tape
- For vacuum pick and place and reflow soldering

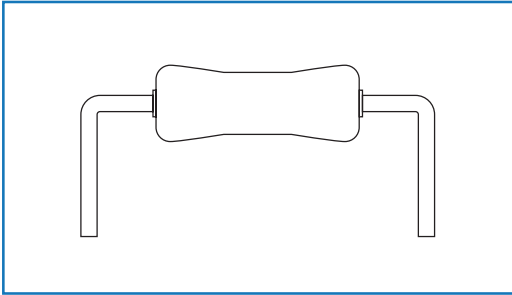


### Lancet

- Available range: 1.7 x 5.5mm to 8.5 x 25mm body
- Order product type with suffix 'L' (MF3SL)
- Bulk packed
- For manual insertion

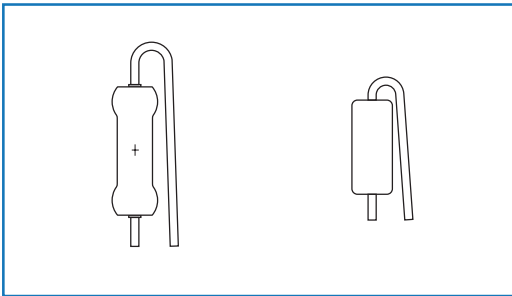
#### General Note

TT Electronics reserves the right to make changes in product specification without notice or liability. All information is subject to TT Electronics' own data and is considered accurate at time of going to print.



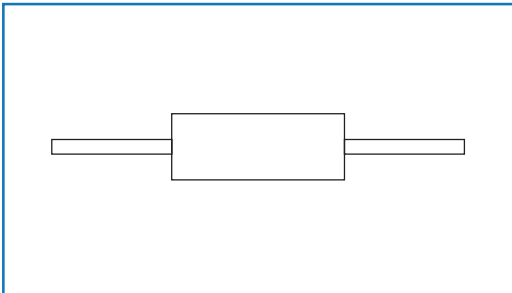
### Goalpost

- Available Range: 2.5 x 6.3mm to 8.5 x 25mm body
- Order product type with suffix 'B' (MF3SB)
- Bulk Packed
- For manual insertion



### Hairpin Form

- Available range: 2.5 x 6.3mm to 5.3 x 14.5mm body
- Order product type with suffix 'H' (WA84H)
- Bulk packed
- For manual insertion



### Straight Cut

- Available range: 2.5 x 6.3mm to 8.5 x 25mm body
- Order product type with suffix 'C' (MF3SC)
- Bulk packed

**For more details on dimensions, please see individual datasheets on our website.**

#### General Note

TT Electronics reserves the right to make changes in product specification without notice or liability.  
All information is subject to TT Electronics' own data and is considered accurate at time of going to print.