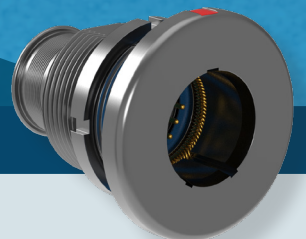
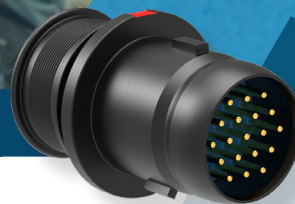
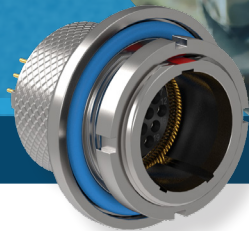


OMNETICS
CONNECTOR CORPORATION

Kilo 360[®]

K804
Push-Pull
Series



Omnetics Connector Corporation is a leading global provider of precision and high-reliability electronic connectors and interconnect systems.

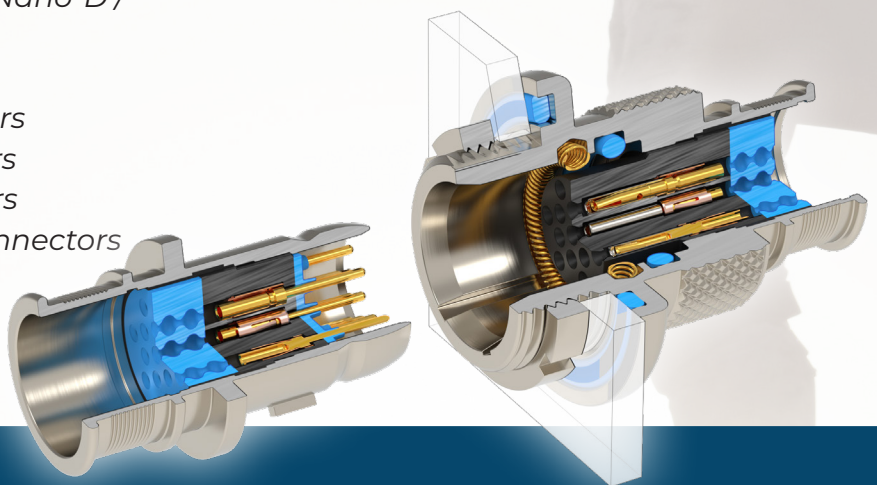
For the past 40 years, we have engineered an extensive portfolio of innovative products, with a special focus on micro-miniature and nanominiature interconnects. Our connectors are among the smallest on the market and deliver exceptional performance in challenging work environments. As interconnect technologies continue to evolve, we design next-generation products that help bring transformative ideas to life.

Our connectors are highly sought after by designers working in the medical, military, aviation, aerospace, and other leading-edge industries. Omnetics understands the rigorous operating conditions mission-critical applications endure and our solutions include EMI shielding, IP sealing, polarization, rugged materials, and other elements that ensure connectivity under pressure. We maintain a large inventory of off the shelf products.

Our high-reliability portfolio includes:

- Micro and nano strip connectors*
- Micro and nano circular connectors*
- Nano-D / Bi-Lobe® and Latching Nano-D / Bi-Lobe® connectors*
- Polarized nano connectors*
- Squeeze-latching nano connectors*
- MIL-DTL-32139 Nano-D connectors*
- MIL-DTL-83513 Micro-D connectors*
- Micro-D and latching Micro-D connectors*
- Hybrid connector configurations*
- Cable and Harness assemblies*

We take great pride in the products we build for you. Our design team works closely with customers to create new and custom interconnect solutions for tomorrow's innovative products. Our connectors are designed, produced, and tested by hand at our plant in the United States. Omnetics is a privately held company and we exist to advance innovation wherever it is needed next.



K804 Cutaway



Page intentional left blank



Kilo 360® K804 Push-Pull

Omnetics' **Kilo 360® K804 series** are designed for use in tactical equipment and to serve demanding military and aerospace applications with superior rigor and performance in a lightweight and versatile package. This push-pull connector is designed for exceptional handling, waterproof and dustproof offering ease of assembly and quick disconnect when needed. We offer a range of configurations and customization options with easy crimp contact termination to help you specify the connector you need for a variety of environmental conditions, including protection against immersion, interference, shock and vibration. This connector is ready to serve in the most adventurous applications.



K804-001-06



K804-003-00



K804-003-01



K804-003-07



K804-005-00



K804-005-07



K804-009-00



K804-009-02



K804-009-07



K804 Push-Pull



- Push-Pull Plug Connector
- Quick Disconnect
- Secure mating with receptacle
- Multiple keying features
- Integral banding platform for shield termination

Electro-Mechanical Specifications

Type	Performance
Current Rating	5 Amps per contact
Dielectric Withstanding Voltage	750 VAC
Insulation Resistance	5000 megohms minimum
Operation Temperature	-65°C to +175°C
Shock	300 g
Vibration	37 g
Durability	2000 mating cycles

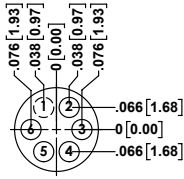
Material Specifications

Type	Performance
Shell, Jam Nut	6061 Aluminum Alloy or 304L Stainless Steel
Contact	Beryllium Copper Alloy
Insulator	Glass-Filled Liquid Crystal Polymer (LCP)
Contact Retention Clip	Beryllium Copper Alloy
Seal, O-Ring, Grommet	Silicone and/or Fluorosilicone Blend
Spring	Gold Plated Stainless Steel

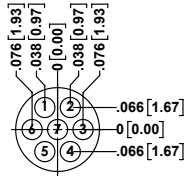


Contact Arrangements

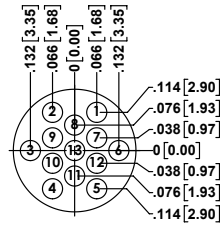
Pin position shown, mirror order for socket positions | Dimensions in inches, dimensions in [] are in millimeter and are for reference only



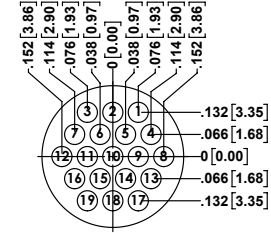
6 CONTACTS



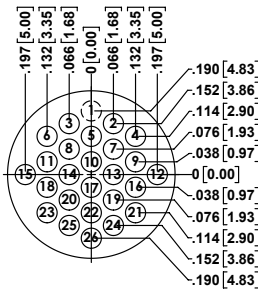
7 CONTACTS



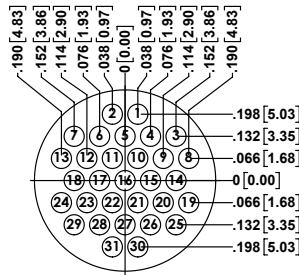
13 CONTACTS



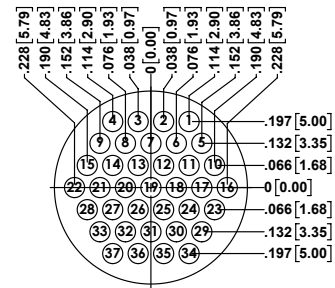
19 CONTACTS



26 CONTACTS

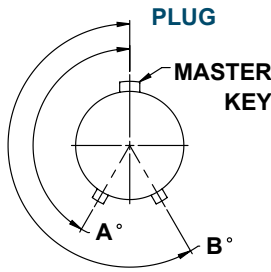


31 CONTACTS

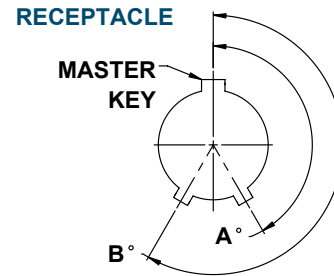


37 CONTACTS

Keying



KEYING	"A"	"B"
[OMIT]	MASTER ONLY	
A	150°	210°
B	75°	210°
C	95°	230°
D	140°	275°
E	75°	275°
F	95°	210°



Contacts

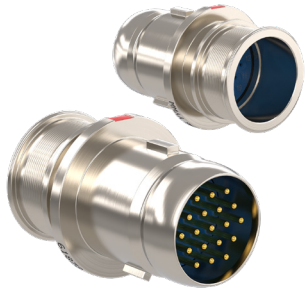
SIZE	TERMINATION	TYPE	CODE		
#23	WIRED	CRIMP 22-26AWG	PIN	P	
			SOCKET	S	
		CRIMP 28-30AWG	PIN	G	
			SOCKET	H	
	BOARD	PC TAIL	PIN	P	
			SOCKET	S	
	SOLDER CUP	PIN	E		
		SOCKET	F		

Material & Finish

CODE	MATERIAL	FINISH
C	6061 ALUMINUM	BLACK ANODIZE
DBN	6061 ALUMINUM	DUPLEX BLACK NICKEL
M	6061 ALUMINUM	ELECTROLESS NICKEL
MT	6061 ALUMINUM	NICKEL PTFE
NF	6061 ALUMINUM	OLIVE DRAB CADMIUM
Z1	304L STAINLESS STEEL	PASSVATED
ZNU	6061 ALUMINUM	BLACK ZINC NICKEL



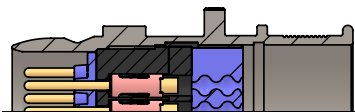
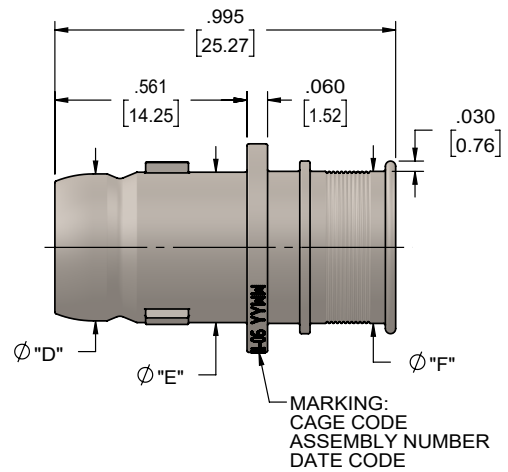
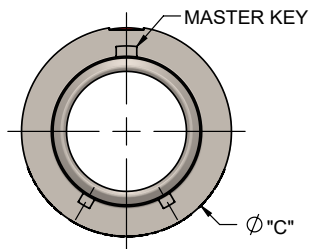
K804-001-06



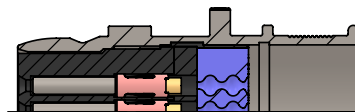
K804-001-06M9-19PA



K804-001-06M9-19SA



PIN CONTACT WITH CRIMP

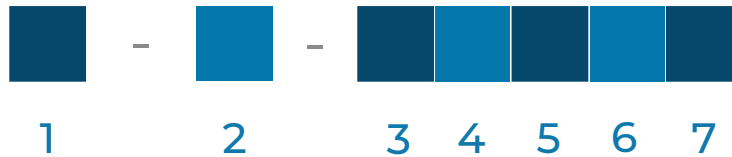


SOCKET CONTACT WITH CRIMP

SHELL SIZE	"C"	"D"	"E"	"F"
06	.497 [12.62]	.313 [7.95]	.323 [8.20]	.328 [8.33]
08	.613 [15.57]	.429 [10.90]	.439 [11.15]	.444 [11.28]
09	.670 [17.02]	.486 [12.34]	.496 [12.60]	.501 [12.73]
10	.747 [18.97]	.563 [14.30]	.573 [14.55]	.578 [14.68]
11	.802 [20.37]	.618 [15.70]	.628 [15.95]	.619 [15.72]
12	.860 [21.84]	.676 [17.17]	.686 [17.42]	.654 [16.61]



Ordering Guide



1 Series	K804 Quick Disconnect Push-Pull						
2 Type	001 Plug with Banding Platform						
3 Shell	06 Inline						
4 Material & Finish	M 6061 Aluminum / Electroless Nickel	C 6061 Aluminum / Black Anodize					
	NF 6061 Aluminum / Olive Drab Cadmium	DBN 6061 Aluminum / Duplex Black Nickel					
	Z1 304L Stainless Steel / Passivated	ZNU 6061 Aluminum / Black Zinc Nickel					
	MT 6061 Aluminum / Nickel PTFE						
5 Contacts Arrangement (Shell Size - Number Of Contacts)	6-6	6-7	8-13	9-19	10-26	11-31	12-37
6 Contact Type	A Pin Type, No Contacts Supplied			S Socket Type, Crimp (22-26 AWG)			
	B Socket Type, No Contacts Supplied			G Pin Type, Crimp (28-30 AWG)			
	P Pin Type, Crimp (22-26 AWG)			H Socket Type, Crimp (28-30 AWG)			
7 Keying	OMIT MASTER KEY ONLY						
	A A Key: 150° / B Key: 210°			D A Key: 140° / B Key: 275°			
	B A Key: 75° / B Key: 210°			E A Key: 75° / B Key: 275°			
	C A Key: 95° / B Key: 230°			F A Key: 95° / B Key: 210°			



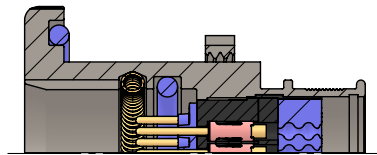
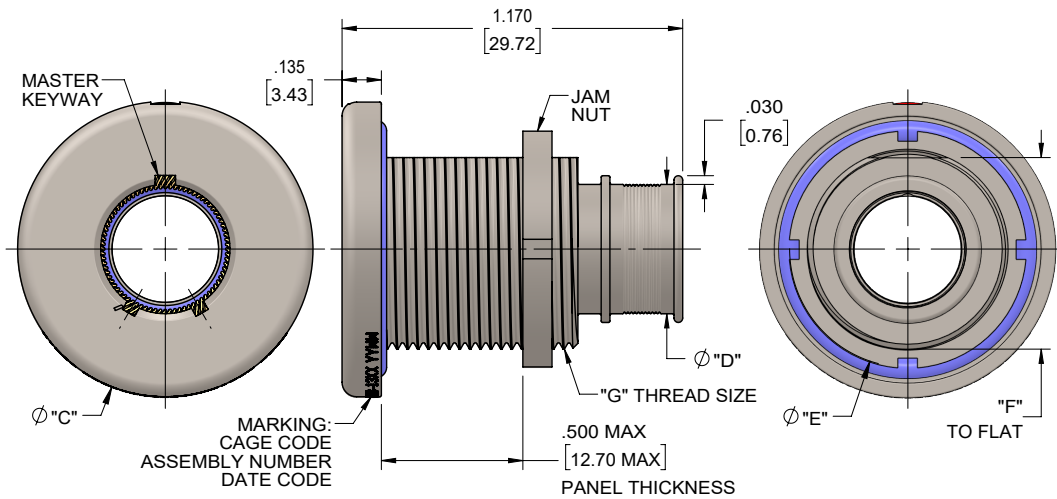
K804-003-00



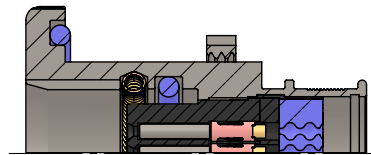
K804-003-00M9-19PA



K804-003-00M9-19SA



PIN CONTACT WITH CRIMP

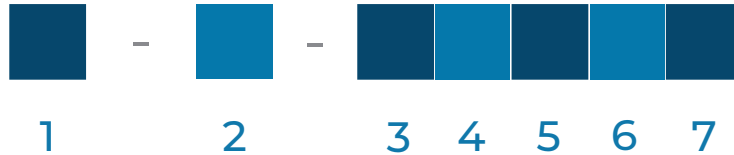


SOCKET CONTACT WITH CRIMP

SHELL SIZE	"C"	"D"	"E"	"F"	"G" THREADS
06	.890 [22.61]	.328 [8.33]	.688 [17.48]	.528 [13.41]	.5625-32 UN-2A
08	1.015 [25.78]	.444 [11.28]	.813 [20.65]	.653 [16.59]	.6875-28 UN-2A
09	1.077 [27.36]	.501 [12.73]	.875 [22.23]	.715 [18.16]	.7500-28 UN-2A
10	1.140 [28.96]	.578 [14.68]	.938 [23.82]	.778 [19.76]	.8125-28 UN-2A
11	1.202 [30.53]	.619 [15.72]	1.000 [25.40]	.840 [21.34]	.8750-28 UN-2A
12	1.327 [33.71]	.654 [16.61]	1.125 [28.58]	.965 [24.51]	1.0000-28 UN-2A



Ordering Guide



1 Series	K804 Quick Disconnect Push-Pull						
2 Type	003 Receptacle with Banding Platform						
3 Shell	00 Front Panel Mount with Jam Nut						
4 Material & Finish	M 6061 Aluminum / Electroless Nickel	C 6061 Aluminum / Black Anodize					
	NF 6061 Aluminum / Olive Drab Cadmium	DBN 6061 Aluminum / Duplex Black Nickel					
	Z1 304L Stainless Steel / Passivated	ZNU 6061 Aluminum / Black Zinc Nickel					
	MT 6061 Aluminum / Nickel PTFE						
5 Contacts Arrangement (Shell Size - Number Of Contacts)	6-6	6-7	8-13	9-19	10-26	11-31	12-37
6 Contact Type	A Pin Type, No Contacts Supplied			S Socket Type, Crimp (22-26 AWG)			
	B Socket Type, No Contacts Supplied			G Pin Type, Crimp (28-30 AWG)			
	P Pin Type, Crimp (22-26 AWG)			H Socket Type, Crimp (28-30 AWG)			
7 Keying	OMIT MASTER KEY ONLY						
	A A Key: 150° / B Key: 210°			D A Key: 140° / B Key: 275°			
	B A Key: 75° / B Key: 210°			E A Key: 75° / B Key: 275°			
	C A Key: 95° / B Key: 230°			F A Key: 95° / B Key: 210°			



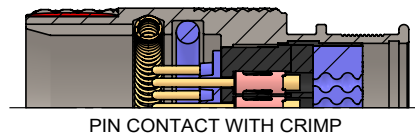
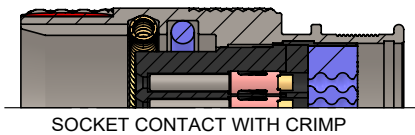
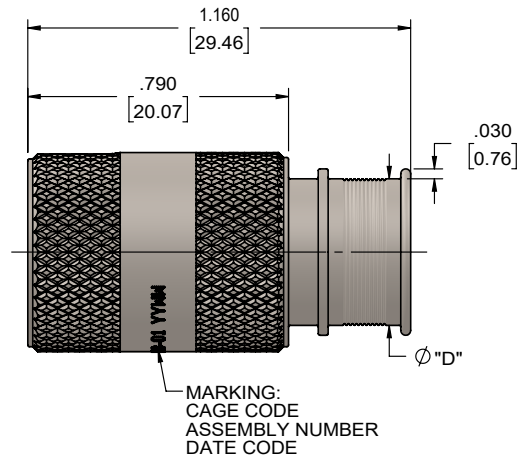
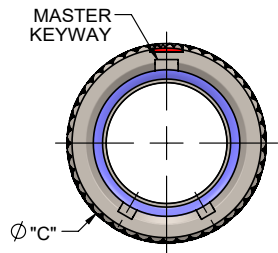
K804-003-01



K804-003-01M9-19PA



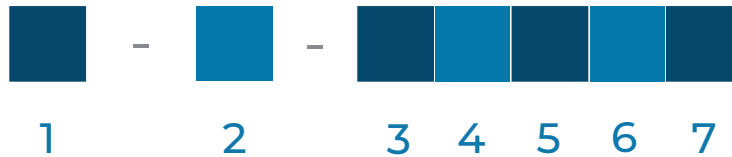
K804-003-01M9-19SA



SHELL SIZE	"C"	"D"
06	.480 [12.19]	.328 [8.33]
08	.603 [15.32]	.444 [11.28]
09	.695 [17.65]	.501 [12.73]
10	.735 [18.67]	.578 [14.68]
11	.810 [20.57]	.619 [15.72]
12	.880 [22.35]	.654 [16.61]



Ordering Guide



1 Series	K804 Quick Disconnect Push-Pull						
2 Type	003 Receptacle with Banding Platform						
3 Shell	01 Inline						
4 Material & Finish	M 6061 Aluminum / Electroless Nickel	C 6061 Aluminum / Black Anodize					DBN 6061 Aluminum / Duplex Black Nickel
	NF 6061 Aluminum / Olive Drab Cadmium	Z1 304L Stainless Steel / Passivated					ZNU 6061 Aluminum / Black Zinc Nickel
	MT 6061 Aluminum / Nickel PTFE						
5 Contacts Arrangement (Shell Size - Number Of Contacts)	6-6	6-7	8-13	9-19	10-26	11-31	12-37
6 Contact Type	A Pin Type, No Contacts Supplied			S Socket Type, Crimp (22-26 AWG)			
	B Socket Type, No Contacts Supplied			G Pin Type, Crimp (28-30 AWG)			
	P Pin Type, Crimp (22-26 AWG)			H Socket Type, Crimp (28-30 AWG)			
7 Keying	OMIT MASTER KEY ONLY						
	A A Key: 150° / B Key: 210°			D A Key: 140° / B Key: 275°			
	B A Key: 75° / B Key: 210°			E A Key: 75° / B Key: 275°			
	C A Key: 95° / B Key: 230°			F A Key: 95° / B Key: 210°			



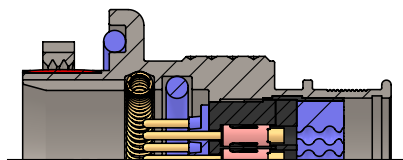
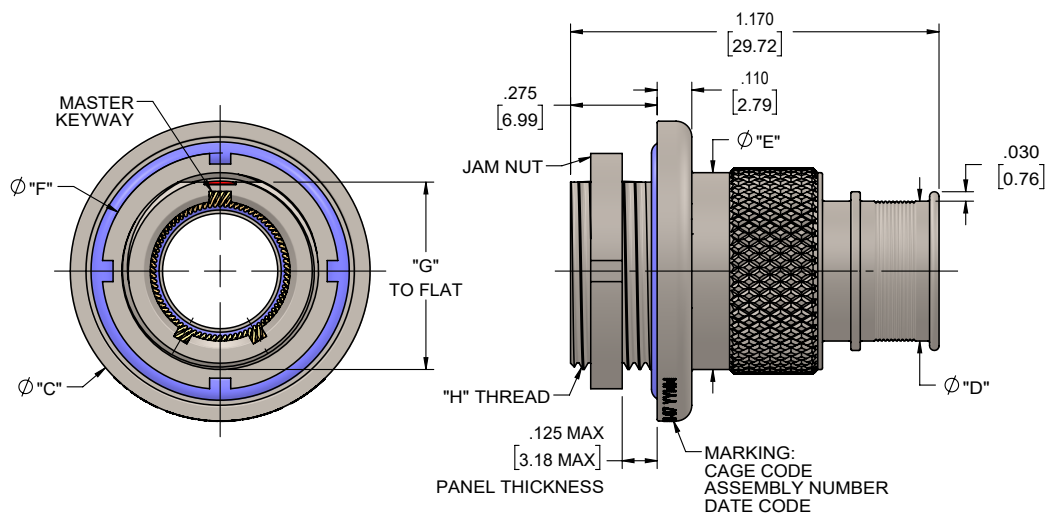
K804-003-07



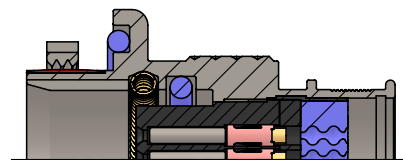
K804-003-07M9-19PA



K804-003-07M9-19SA



PIN CONTACTS WITH CRIMP

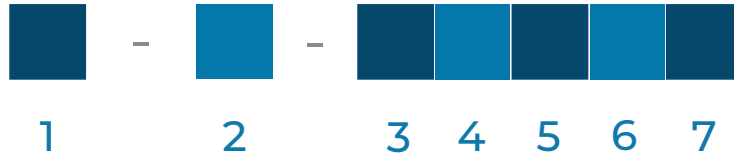


SOCKET CONTACTS WITH CRIMP

SHELL SIZE	"C"	"D"	"E"	"F"	"G"	"H" THREAD
06	.827 [21.01]	.328 [8.33]	.500 [12.70]	.625 [15.88]	.470 [11.94]	.5000-32 UN-2A
08	.952 [24.18]	.444 [11.28]	.625 [15.88]	.750 [19.05]	.595 [15.11]	.6250-28 UN-2A
09	1.015 [25.78]	.501 [12.73]	.688 [17.48]	.813 [20.65]	.658 [16.71]	.6875-28 UN-2A
10	1.077 [27.36]	.578 [14.68]	.750 [19.05]	.875 [22.23]	.720 [18.29]	.7500-28 UN-2A
11	1.140 [28.96]	.619 [15.72]	.813 [20.65]	.938 [23.83]	.783 [19.89]	.8125-28 UN-2A
12	1.202 [30.53]	.654 [16.61]	.875 [22.23]	1.000 [25.40]	.845 [21.46]	.8750-28 UN-2A



Ordering Guide



1 Series	K804 Quick Disconnect Push-Pull						
2 Type	003 Receptacle with Banding Platform						
3 Shell	07 Rear Panel Mount with Jam Nut						
4 Material & Finish	M 6061 Aluminum / Electroless Nickel	C 6061 Aluminum / Black Anodize					
	NF 6061 Aluminum / Olive Drab Cadmium	DBN 6061 Aluminum / Duplex Black Nickel					
	Z1 304L Stainless Steel / Passivated	ZNU 6061 Aluminum / Black Zinc Nickel					
	MT 6061 Aluminum / Nickel PTFE						
5 Contacts Arrangement (Shell Size - Number Of Contacts)	6-6	6-7	8-13	9-19	10-26	11-31	12-37
6 Contact Type	A Pin Type, No Contacts Supplied			S Socket Type, Crimp (22-26 AWG)			
	B Socket Type, No Contacts Supplied			G Pin Type, Crimp (28-30 AWG)			
	P Pin Type, Crimp (22-26 AWG)			H Socket Type, Crimp (28-30 AWG)			
7 Keying	OMIT MASTER KEY ONLY						
	A A Key: 150° / B Key: 210°			D A Key: 140° / B Key: 275°			
	B A Key: 75° / B Key: 210°			E A Key: 75° / B Key: 275°			
	C A Key: 95° / B Key: 230°			F A Key: 95° / B Key: 210°			



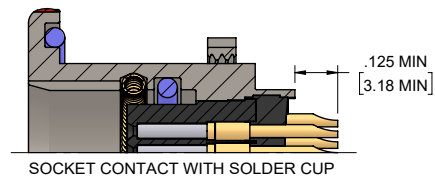
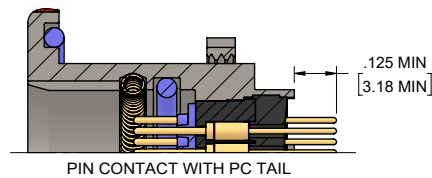
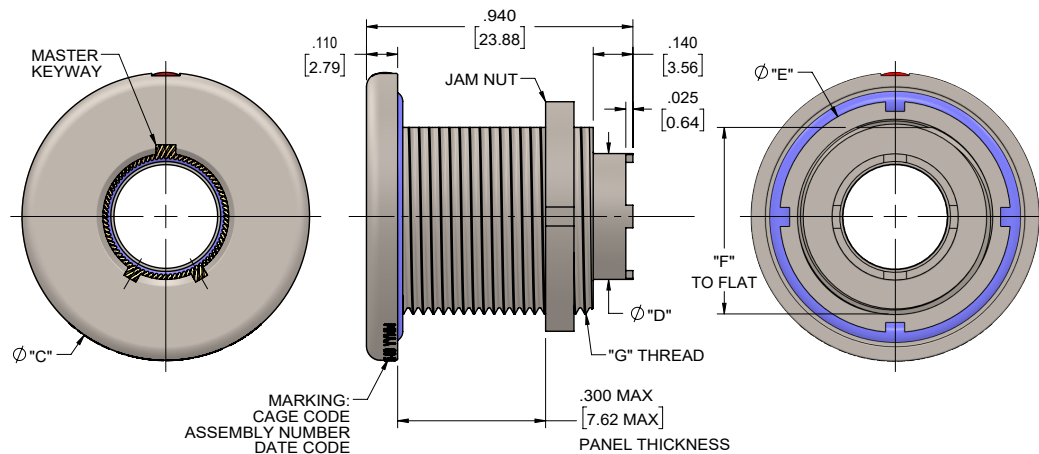
K804-005-00



K804-005-00M9-19EA



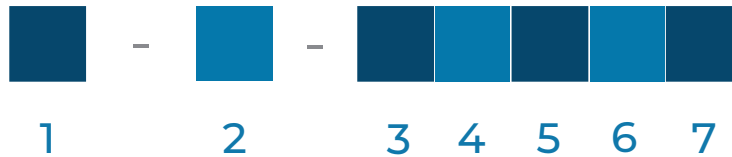
K804-005-00M9-19SA



SHELL SIZE	"C"	"D"	"E"	"F"	"G" THREAD
06	.890 [22.61]	.328 [8.33]	.685 [17.40]	.533 [13.54]	.5625-28 UN-2A
08	1.015 [25.78]	.444 [11.28]	.813 [20.65]	.658 [16.71]	.6875-28 UN-2A
09	1.077 [27.36]	.501 [12.73]	.872 [22.15]	.720 [18.29]	.7500-28 UN-2A
10	1.140 [28.96]	.578 [14.68]	.938 [23.83]	.783 [19.89]	.8125-28 UN-2A
11	1.202 [30.53]	.619 [15.72]	1.000 [25.40]	.845 [21.46]	.8750-28 UN-2A
12	1.327 [33.71]	.654 [16.61]	1.125 [28.58]	.970 [24.64]	1.0000-28 UN-2A



Ordering Guide



1 Series	K804 Quick Disconnect Push-Pull						
2 Type	005 Board Mount Receptacle						
3 Shell	00 Front Panel Mount with Jam Nut						
4 Material & Finish	M 6061 Aluminum / Electroless Nickel	C 6061 Aluminum / Black Anodize					DBN 6061 Aluminum / Duplex Black Nickel
	NF 6061 Aluminum / Olive Drab Cadmium	Z1 304L Stainless Steel / Passivated					ZNU 6061 Aluminum / Black Zinc Nickel
	MT 6061 Aluminum / Nickel PTFE						
5 Contacts Arrangement (Shell Size - Number Of Contacts)	6-6	6-7	8-13	9-19	10-26	11-31	12-37
6 Contact Type	P Pin Type, PC Tail			E Pin Type, Soldercup			
	S Socket Type, PC Tail			F Socket Type, Soldercup			
7 Keying	OMIT MASTER KEY ONLY						
	A A Key: 150° / B Key: 210°			D A Key: 140° / B Key: 275°			
	B A Key: 75° / B Key: 210°			E A Key: 75° / B Key: 275°			
	C A Key: 95° / B Key: 230°			F A Key: 95° / B Key: 210°			



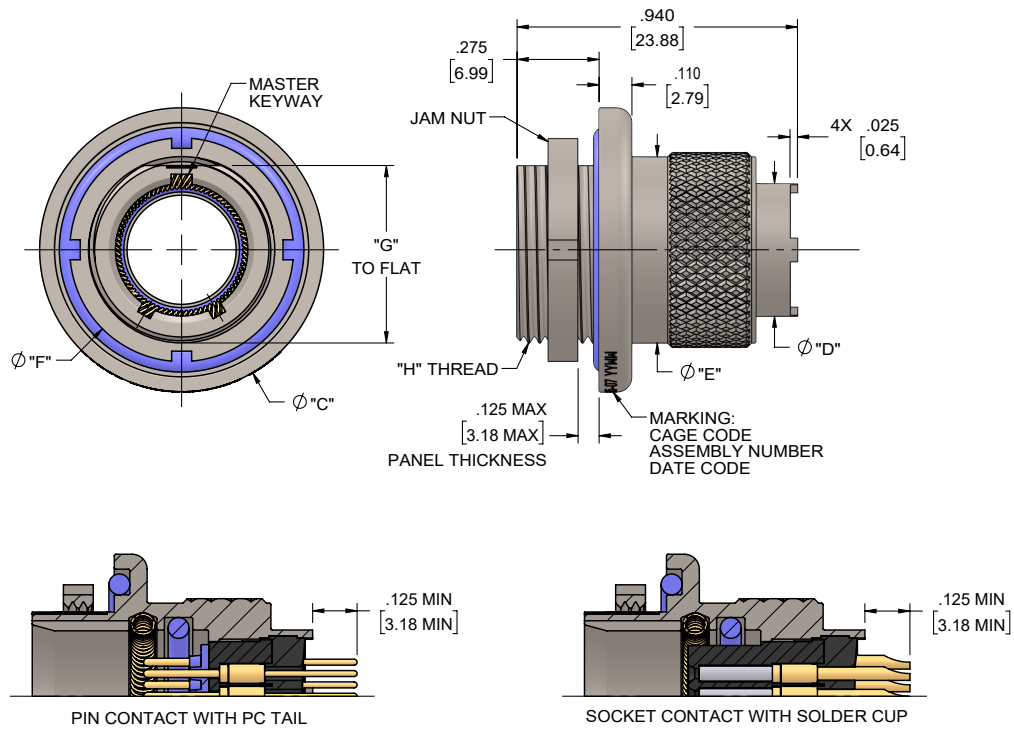
K804-005-07



K804-005-07M9-19EA



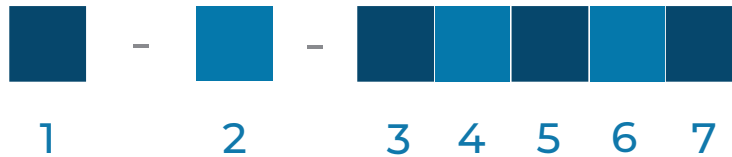
K804-005-07M9-19SA



SHELL SIZE	"C"	"D"	"E"	"F"	"G"	"H" THREADS
06	.827 [21.01]	.328 [8.33]	.499 [12.67]	.625 [15.88]	.470 [11.94]	.5000-32 UN-2A
08	.952 [24.18]	.444 [11.28]	.624 [15.85]	.750 [19.05]	.595 [15.11]	.6250-28 UN-2A
09	1.015 [25.78]	.501 [12.73]	.687 [17.45]	.813 [20.65]	.658 [16.71]	.6875-28 UN-2A
10	1.077 [27.36]	.578 [14.68]	.749 [19.02]	.875 [22.23]	.720 [18.29]	.7500-28 UN-2A
11	1.140 [28.96]	.619 [15.72]	.812 [20.62]	.938 [23.83]	.783 [19.89]	.8125-28 UN-2A
12	1.202 [30.53]	.654 [16.61]	.874 [22.20]	1.000 [25.40]	.845 [21.46]	.8750-28 UN-2A



Ordering Guide



1 Series	K804 Quick Disconnect Push-Pull						
2 Type	005 Board Mount Receptacle						
3 Shell	07 Rear Panel Mount with Jam Nut						
4 Material & Finish	M 6061 Aluminum / Electroless Nickel	C 6061 Aluminum / Black Anodize					DBN 6061 Aluminum / Duplex Black Nickel
	NF 6061 Aluminum / Olive Drab Cadmium	Z1 304L Stainless Steel / Passivated					ZNU 6061 Aluminum / Black Zinc Nickel
	MT 6061 Aluminum / Nickel PTFE						
5 Contacts Arrangement (Shell Size - Number Of Contacts)	6-6	6-7	8-13	9-19	10-26	11-31	12-37
6 Contact Type	P Pin Type, PC Tail			E Pin Type, Soldercup			
	S Socket Type, PC Tail			F Socket Type, Soldercup			
7 Keying	OMIT MASTER KEY ONLY						
	A A Key: 150° / B Key: 210°			D A Key: 140° / B Key: 275°			
	B A Key: 75° / B Key: 210°			E A Key: 75° / B Key: 275°			
	C A Key: 95° / B Key: 230°			F A Key: 95° / B Key: 210°			



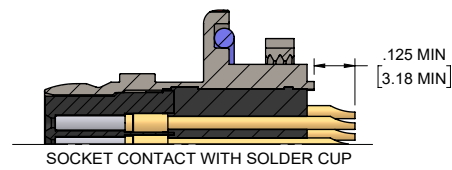
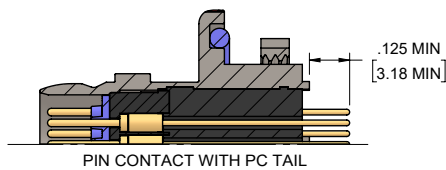
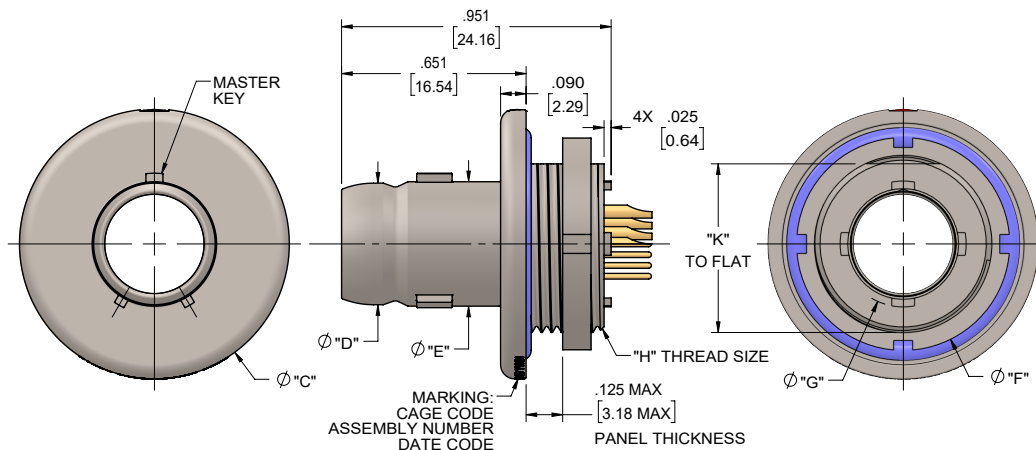
K804-009-00



K804-009-00M9-19EA



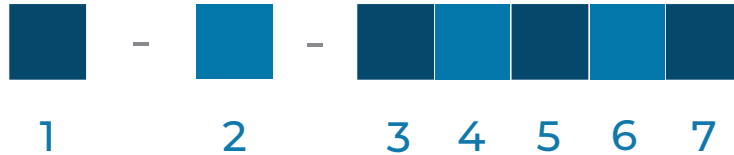
K804-009-00M9-19SA



SHELL SIZE	"C"	"D"	"E"	"F"	"G"	"H" THREADS	"K"
06	.827 [21.01]	.313 [7.95]	.323 [8.20]	.622 [15.80]	.328 [8.33]	.5000-32 UN-2A	.470 [11.94]
08	.952 [24.18]	.429 [10.90]	.439 [11.15]	.747 [18.97]	.444 [11.28]	.6250-28 UN-2A	.595 [15.11]
09	1.015 [25.78]	.486 [12.34]	.496 [12.60]	.813 [20.65]	.501 [12.73]	.6875-28 UN-2A	.658 [16.71]
10	1.077 [27.36]	.563 [14.30]	.573 [14.55]	.875 [22.23]	.578 [14.68]	.7500-28 UN-2A	.720 [18.29]
11	1.140 [28.96]	.618 [15.70]	.628 [15.95]	.938 [23.83]	.619 [15.72]	.8125-28 UN-2A	.783 [19.89]
12	1.202 [30.53]	.676 [17.17]	.686 [17.42]	1.000 [25.40]	.654 [16.61]	.8750-28 UN-2A	.845 [21.46]



Ordering Guide



1 Series	K804 Quick Disconnect Push-Pull						
2 Type	009 Board Mount Plug						
3 Shell	00 Front Panel Mount with Jam Nut						
4 Material & Finish	M 6061 Aluminum / Electroless Nickel	C 6061 Aluminum / Black Anodize					DBN 6061 Aluminum / Duplex Black Nickel
	NF 6061 Aluminum / Olive Drab Cadmium	Z1 304L Stainless Steel / Passivated					ZNU 6061 Aluminum / Black Zinc Nickel
	MT 6061 Aluminum / Nickel PTFE						
5 Contacts Arrangement (Shell Size - Number Of Contacts)	6-6	6-7	8-13	9-19	10-26	11-31	12-37
6 Contact Type	P Pin Type, PC Tail			E Pin Type, Soldercup			
	S Socket Type, PC Tail			F Socket Type, Soldercup			
7 Keying	OMIT MASTER KEY ONLY						
	A A Key: 150° / B Key: 210°			D A Key: 140° / B Key: 275°			
	B A Key: 75° / B Key: 210°			E A Key: 75° / B Key: 275°			
	C A Key: 95° / B Key: 230°			F A Key: 95° / B Key: 210°			



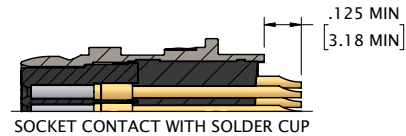
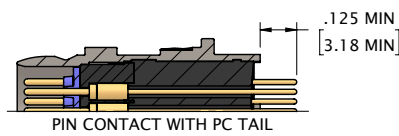
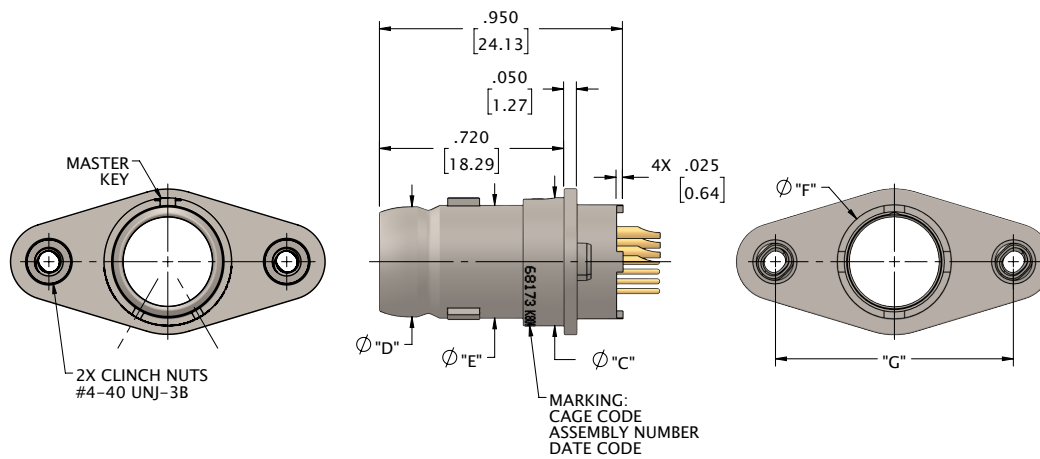
K804-009-02



K804-009-02M9-19EA



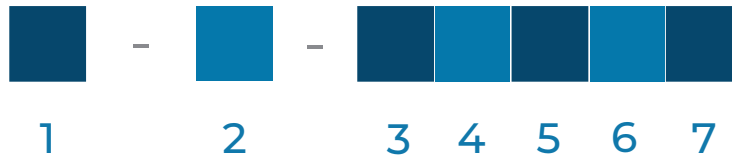
K804-009-02M9-19SA



SHELL SIZE	"C"	"D"	"E"	"F"	"G"
06	.383 [9.73]	.313 [7.95]	.323 [8.20]	.328 [8.33]	.820 [20.83]
08	.499 [12.67]	.429 [10.90]	.439 [11.15]	.444 [11.28]	.930 [23.62]
09	.556 [14.12]	.486 [12.34]	.496 [12.60]	.501 [12.73]	.990 [25.15]
10	.633 [16.08]	.563 [14.30]	.573 [14.55]	.578 [14.68]	1.060 [26.92]
11	.688 [17.48]	.618 [15.70]	.628 [15.95]	.619 [15.72]	1.120 [28.45]
12	.746 [18.95]	.676 [17.17]	.686 [17.42]	.654 [16.61]	1.185 [30.10]



Ordering Guide



1 Series	K804 Quick Disconnect Push-Pull						
2 Type	009 Board Mount Plug						
3 Shell	02 Flange Front Panel Mount with Clinch Nuts						
4 Material & Finish	M 6061 Aluminum / Electroless Nickel						C 6061 Aluminum / Black Anodize
	NF 6061 Aluminum / Olive Drab Cadmium						DBN 6061 Aluminum / Duplex Black Nickel
	Z1 304L Stainless Steel / Passivated						ZNU 6061 Aluminum / Black Zinc Nickel
	MT 6061 Aluminum / Nickel PTFE						
5 Contacts Arrangement (Shell Size - Number Of Contacts)	6-6	6-7	8-13	9-19	10-26	11-31	12-37
6 Contact Type	P Pin Type, PC Tail			E Pin Type, Soldercup			
	S Socket Type, PC Tail			F Socket Type, Soldercup			
7 Keying	OMIT MASTER KEY ONLY						
	A A Key: 150° / B Key: 210°			D A Key: 140° / B Key: 275°			
	B A Key: 75° / B Key: 210°			E A Key: 75° / B Key: 275°			
	C A Key: 95° / B Key: 230°			F A Key: 95° / B Key: 210°			



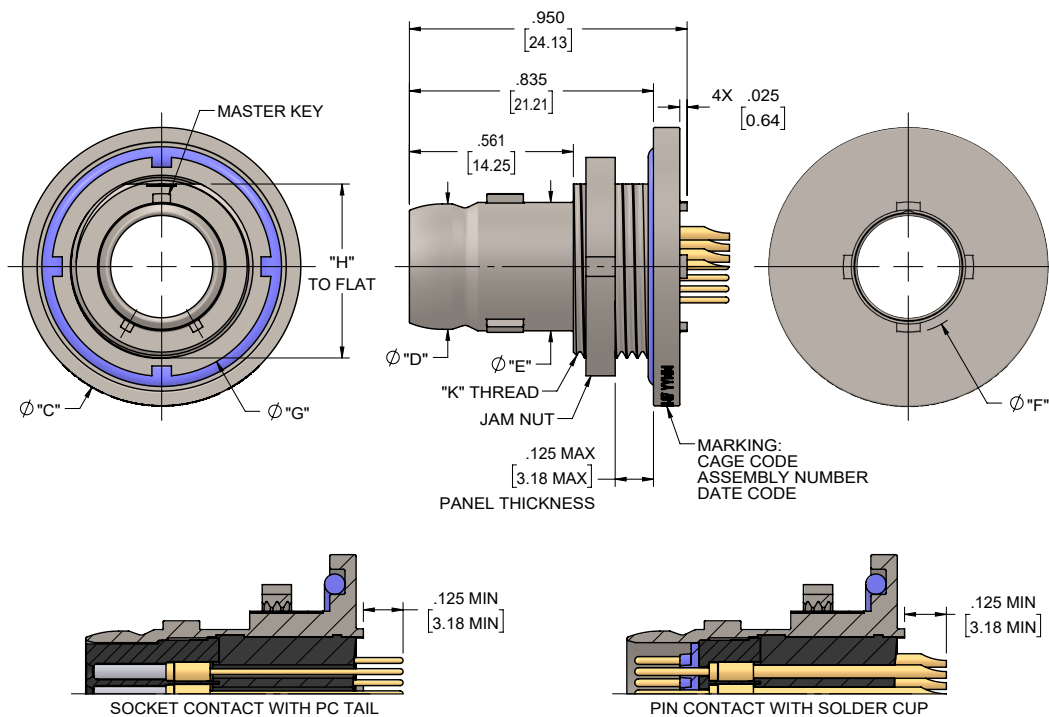
K804-009-07



K804-009-07M9-19EA



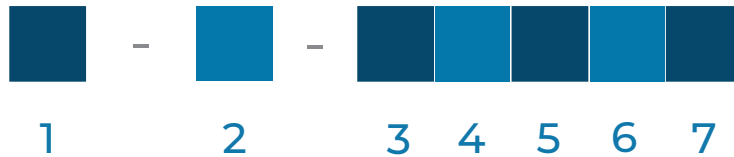
K804-009-07M9-19SA



SHELL SIZE	"C"	"D"	"E"	"F"	"G"	"H"	"K" THREADS
06	.827 [21.01]	.313 [7.95]	.323 [8.20]	.328 [8.33]	.625 [15.88]	.470 [11.94]	.5000-32 UN-2A
08	.952 [24.18]	.429 [10.90]	.439 [11.15]	.444 [11.28]	.750 [19.05]	.595 [15.11]	.6250-28 UN-2A
09	1.015 [25.78]	.486 [12.34]	.496 [12.60]	.501 [12.73]	.813 [20.65]	.658 [16.71]	.6875-28 UN-2A
10	1.077 [27.36]	.563 [14.30]	.573 [14.55]	.578 [14.68]	.875 [22.23]	.720 [18.29]	.7500-28 UN-2A
11	1.140 [28.96]	.618 [15.70]	.628 [15.95]	.619 [15.72]	.938 [23.83]	.783 [19.89]	.8125-28 UN-2A
12	1.202 [30.53]	.676 [17.17]	.686 [17.42]	.654 [16.61]	1.000 [25.40]	.845 [21.46]	.8750-28 UN-2A



Ordering Guide



1 Series	K804 Quick Disconnect Push-Pull						
2 Type	009 Board Mount Plug						
3 Shell	07 Rear Panel Mount with Jam Nut						
4 Material & Finish	M 6061 Aluminum / Electroless Nickel	C 6061 Aluminum / Black Anodize					DBN 6061 Aluminum / Duplex Black Nickel
	NF 6061 Aluminum / Olive Drab Cadmium	Z1 304L Stainless Steel / Passivated					ZNU 6061 Aluminum / Black Zinc Nickel
	MT 6061 Aluminum / Nickel PTFE						
5 Contacts Arrangement (Shell Size - Number Of Contacts)	6-6	6-7	8-13	9-19	10-26	11-31	12-37
6 Contact Type	P Pin Type, PC Tail			E Pin Type, Soldercup			
	S Socket Type, PC Tail			F Socket Type, Soldercup			
7 Keying	OMIT MASTER KEY ONLY						
	A A Key: 150° / B Key: 210°			D A Key: 140° / B Key: 275°			
	B A Key: 75° / B Key: 210°			E A Key: 75° / B Key: 275°			
	C A Key: 95° / B Key: 230°			F A Key: 95° / B Key: 210°			

Page intentional left blank



Engineered to the **EXTREME.**

For high-reliability applications where size, weight, durability, and compatibility are critical.

Extreme Durability

Built to resist shock, vibration, ingress, and other hazards.

Complete Compatibility

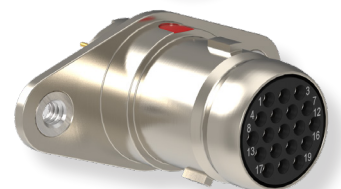
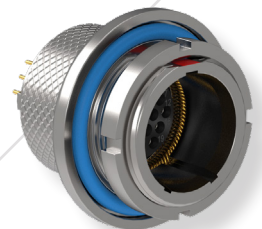
Omnetics has solved common micro-miniature circular challenges to provide the best compatibility in the industry.

Small Footprint

Streamlined applications can deliver big performance with the Kilo 360's scaled-down dimensions.

Versatile Options

Choose between three Kilo 360 series to fit specific application needs.





OMNETICS

CONNECTOR CORPORATION

sales@omnetics.com

Ph: 763-572-0656 | F: 763-572-3925

www.omnetics.com / www.Kilo360.com