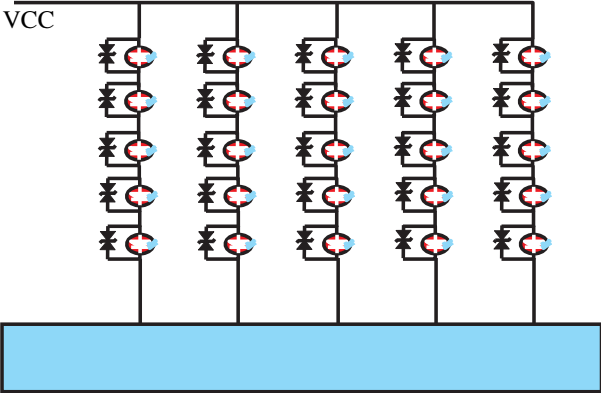
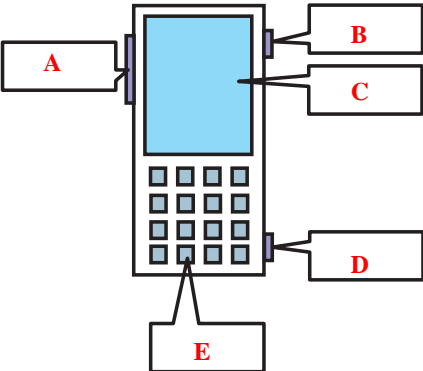


Comchip ESD diodes for surge protection are widely used in LED panels and cellular phones. Each LED on a LED panel needs protection from voltage/static surge and each user interface of cell phone, such as keypad, ear phone jack, USB port, power supply and LCD require surge protection.

Application	Notes	Comchip PN	Digi-Key PN
<p>LED Panel</p> 	<p>Each LED needs a ESD Diode to protect from ESD surge</p>	<p>CPDQR5V0 CPDER5V0 CPDUR5V0 CPDFR5V0</p>	<p>641-1294-2-ND 641-1218-2-ND 641-1220-2-ND 641-1219-2-ND</p>
<p>Cellular Phone</p> 	<p>A: Memory Card B: Ear Phone Jack C: LCD Panel D: USB and power supply E: IC and keypad</p>	<p>CPDQR5V0 CPDER5V0 CPDUR5V0 CPDFR5V0 and other Comchip CPDxxxx series</p>	<p>641-1294-2-ND 641-1218-2-ND 641-1220-2-ND 641-1219-2-ND</p>