

Global Design & Manufacturing

Customer Support

North America

MEXICO - Cannon, VEAM

Av. Libre Comercio s/n-
entre Calzada Industrial
Nuevo Nogales y Calzada del Raquet Club,
Parque Industrial Nuevo Nogales
phone: +52.631.3110050
fax: +52.631.3110060

USA - Cannon

666 East Dyer Road
Santa Ana, CA 92705
toll free: 1.800.854.3028
phone: +1.714.557.4700
fax: +1.714.628.2142

USA - BIW

500 Tesconi Circle
Santa Rosa, CA 95401
phone: +1.707.523.2300
fax: +1.707.523.3567

USA - VEAM

100 New Wood Road
Watertown, CT 06795
phone: +1.860.274.9681
fax: +1.860.274.4963

Europe & Middle East

FRANCE - Cannon, VEAM

15, Boulevard Robert Thiboust
Serris, France 77700
phone: +33.1.60.04.93.93
fax: +33.1.60.04.93.90

GERMANY - Cannon, VEAM

Cannonstrasse 1
Weinstadt, 71384
phone: +49.7151.699.0
fax: +49.7151.699.217

ITALY - Cannon, VEAM

Corso Europa 41/43
Lainate (MI), Italy 20020
phone: +39.02938721
fax: +39.0293872300

LEBANON - BIW

P.O. Box 199
Jounieh
Lebanon
phone: +961.9.911.560
fax: +961.9.912.126

UK - Cannon, VEAM

Jays Close, Viabes Estate
Basingstoke, RG22 4BA
phone: +44.1256.311200
fax: +44.1256.323356

Asia

CHINA - Cannon, VEAM

Tuopandun Industrial Area, Jinda Cheng,
Xiner Village, Shajing Town,
Baoan District, Shenzhen City,
Guangdong, China 518125
phone: +86.755.2726.7238
fax: +86.755.2726.7515

HONG KONG - Cannon, VEAM

Units 2405-6, 24/F, ING Tower
308 Des Voeux Road
Central
Hong Kong
phone: +852.2732.2720
fax: +852.2732.2919

INDIA - Cannon, VEAM

ITT Corporation India Pvt Ltd
2nd Fl Prama House
21 Cama Industrial Estate
Walbhat Road, Goregaon (E),
Mumbai
phone: +91 22 67843000
fax: +91 22 26783033

JAPAN - Cannon, VEAM

11-3, 5 Chome, Hibarigaoka, Zama-shi
Kanagawa, Japan 228-0003
phone: +81.462.57.2010
fax: +81.462.57.1680

SINGAPORE - Cannon, VEAM

10 Jalan Kilang #06-01 Singapore
159410
phone: +65.62763693 ext 232
fax: +65.62763685



Interconnect Solutions
Cannon, VEAM, BIW

100% flexibility,
50% space saving & 50% lighter.

VEAM VIP, Power Connector



© Thaut Images, Graas Media - Fotolia.com

©2011 ITT Corporation. "Engineered for life" and "Cannon" are registered trademarks of ITT Corporation. Specification and other data are based on information available at the time of printing, and are subject to change without notice.

www.ittcannon.com

Engineered for life

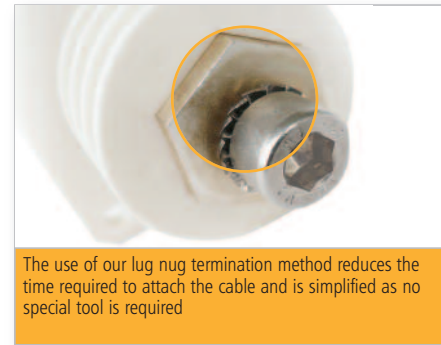
100% Flexibility and 50% Space Saving Replacing hard wire bulkhead connections

Driven by the need to reduce build times and out of service times to a minimum, the next generation mass transit systems are incorporating additional interconnect solutions to aid in these requirements.

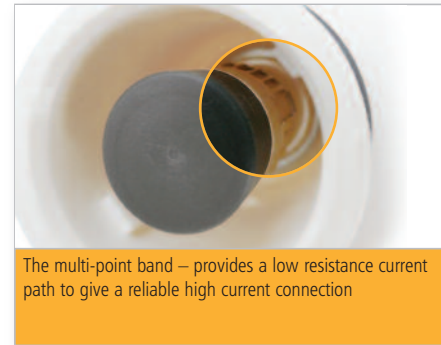
By introducing modular systems the build time on cars and locomotives can be significantly reduced, and when these systems require standard maintenance it is important that this be completed quickly and safely. The Power VIP connector helps reduce the maintenance time by 10%. The use of interconnect solutions helps fulfil these specific needs of the 21st Century. Recognizing these trends, ITT Interconnect Solutions continues its 50 year innovation legacy within the mass transit markets by

introducing our new Power VIP connector as an additional range of connectors to compliment our famous CIR family of railway interconnects.

ITT Interconnect solutions proudly releases this new VIP line of circular connectors to meet the exacting requirements of the railway industry. Our unique offering allows for easy assembly with no additional tooling required, and a threaded coupling that guarantees a secure connection. By replacing the insulator in the bulkhead with the Power VIP connector it allows for both fast and safe disconnection of the system. The use of ITT's finger proof system provides a safe working environment for the operator.



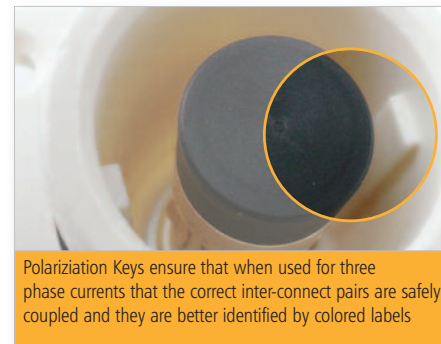
The use of our lug nug termination method reduces the time required to attach the cable and is simplified as no special tool is required



The multi-point band – provides a low resistance current path to give a reliable high current connection



Finger proof contact gives a IP2X ingress protection, which prevents touching of the live parts and safe handling of the inter-connection



Polarization Keys ensure that when used for three phase currents that the correct inter-connect pairs are safely coupled and they are better identified by colored labels



Threaded coupling guarantees the connection in a high vibration environment and allows up to 500 mating cycles



IRIS
Certification

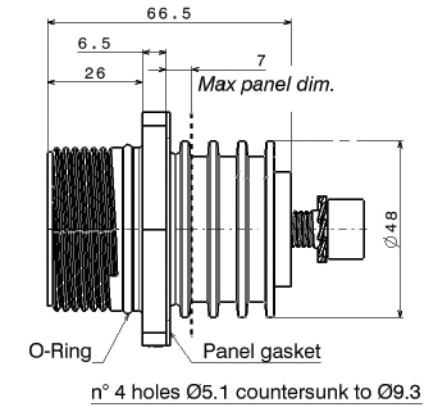
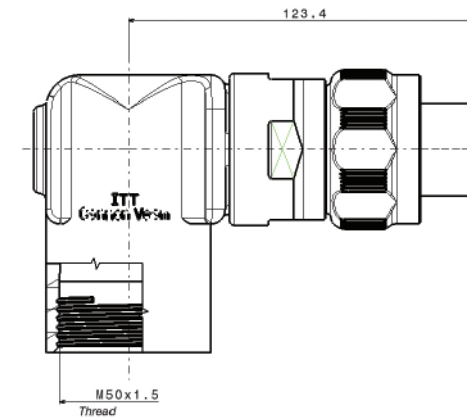
Fast and Safe

The double start threaded coupling system reduces coupling time by 50%. In addition, the key requirement of safety is addressed

by the contact on both halves of the connector being finger protected.

WHY INNOVATIVE CUSTOMERS CHOOSE ITT

- ITT Veam threaded double start locking mechanism allows for robust and secure mating in harsh environments
- Finger protected contact ensures a safe operator environment when connecting or disconnecting systems
- Capability to accommodate cable from 70 to 240 sq mm which caters to all standard industry cables
- Industry compliant fire protection with the use of flame retardant material ensuring Railway standard certification conformance
- No special tooling required allowing the use of a lug for easy termination of the cable
- Easy to Grip Coupling Nut designed to use when wearing gloves



The Power VIP interconnect represents an innovative approach to replacing fixed insulators. This connector is current rated up to 700 amps, and the multi-band has been designed to maximize the number of contact points between the two contacts which provides a reliable connection at this high current. The flame retardant plastic material is rated according to the railway standard CEI UNI 1170. The plug connector has been designed with a right angle elbow to allow for use in space constrained environments. In addition to usages in the Mass Transit area the Power VIP connector can also be used to connect power cables in distribution panels used in mobile generators and three phase motors.

Partnered with ITT ICS's pioneering engineering capability and globally deployed manufacturing excellence, we welcome the opportunity to support you in reaching your mass transit needs while continuing the legacy of the VEAM brand, which has ensured safe, fast, and reliable passenger transit in over 100,000 trains for over 50 years.



► For more specifications please see: www.ittcannon.com



THINK ABOUT ITT

Reliability, Innovation, and Engineered Solutions, these terms collectively describe ITT Interconnect Solutions and define a legacy of Interconnect Science spanning nearly a century, reflecting billions of quality products sold, and incorporating the three industry leading brands of Cannon,

VEAM, and BIW. Our Innovation Timeline uniquely defines a historical compendium of interconnect leadership spanning over 90 years and including many industry firsts; Audio Connectors, Aviation Circulares, D-Sub's, Micro's, fiber optic assemblies, Zero Insertion Force Technologies, and other advanced applications of Interconnect Science. When collaborating with a technology leader, choose a participant with documented trust, established through

multi-industry achievements as substantiated through the participation on every free world space mission, the creation of the first Mil / Spec interconnects, participation on the first talking movie, 100% reliability for over 50 years in Rail applications, and numerous additional achievements in major Military, Aerospace, Industrial, Medical, and Power markets. At ITT ICS, we truly are "Engineered for Life™." Think about ITT.

APPLICATIONS

- Railway
 - railway power converters
 - energy distribution
 - power cable applications
 - thru-bulkhead insulator



- Industrial power distribution
 - mobile generators
 - power distribution boxes

